

EXPLODED

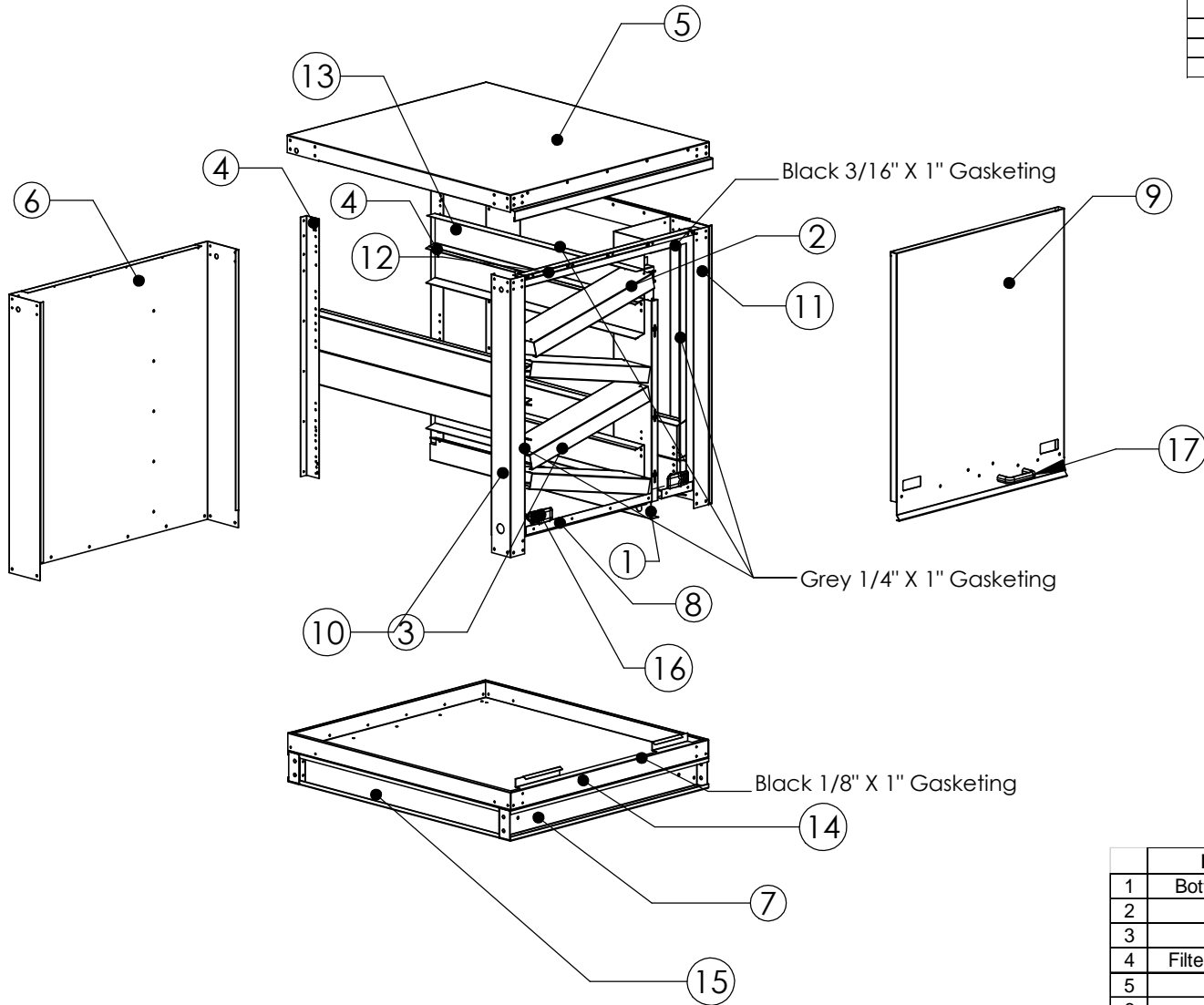
VIEW

EVAP/CELDEK/

PCU/VBANK

6/4/2015

V-BANK 1-3 EXPLODED VIEW



Revision History				
#	Description	Revised by	ECN#	Date
1	UPDATED VIEW	AJK	1896	2/25/10
2	Added Size 6	AJK	2129	8/24/10
3	Added Top Door Seal	NR	2207	1/17/11
4	Added Latch & Changed Door Hook	NR	2393	1/25/12
5	Updated Gasket on Top Door Seal	NR	2524	8/24/12
6	Updated Gasket on Top Filtr Blank	NR	2562	10/30/12
7	Added Notes for Insulated V Banks	NR	2576	12/28/12
8	Added Door Handle	JJH	2594	2/28/13
9	Separated Size 4,5,6 Vbank Exploded Views	JJH	2789	6/4/15

V-Bank Media Size	
For	Dimensions (Quantity)
Size 1	20x25x2 (3)
Size 2	16x20x2 (8)
Size 3	20x25x2 (8)
Size 4	16x20x2 (15)
Size 5	20x25x2 (12)
Size 6	20x25x2 (18)

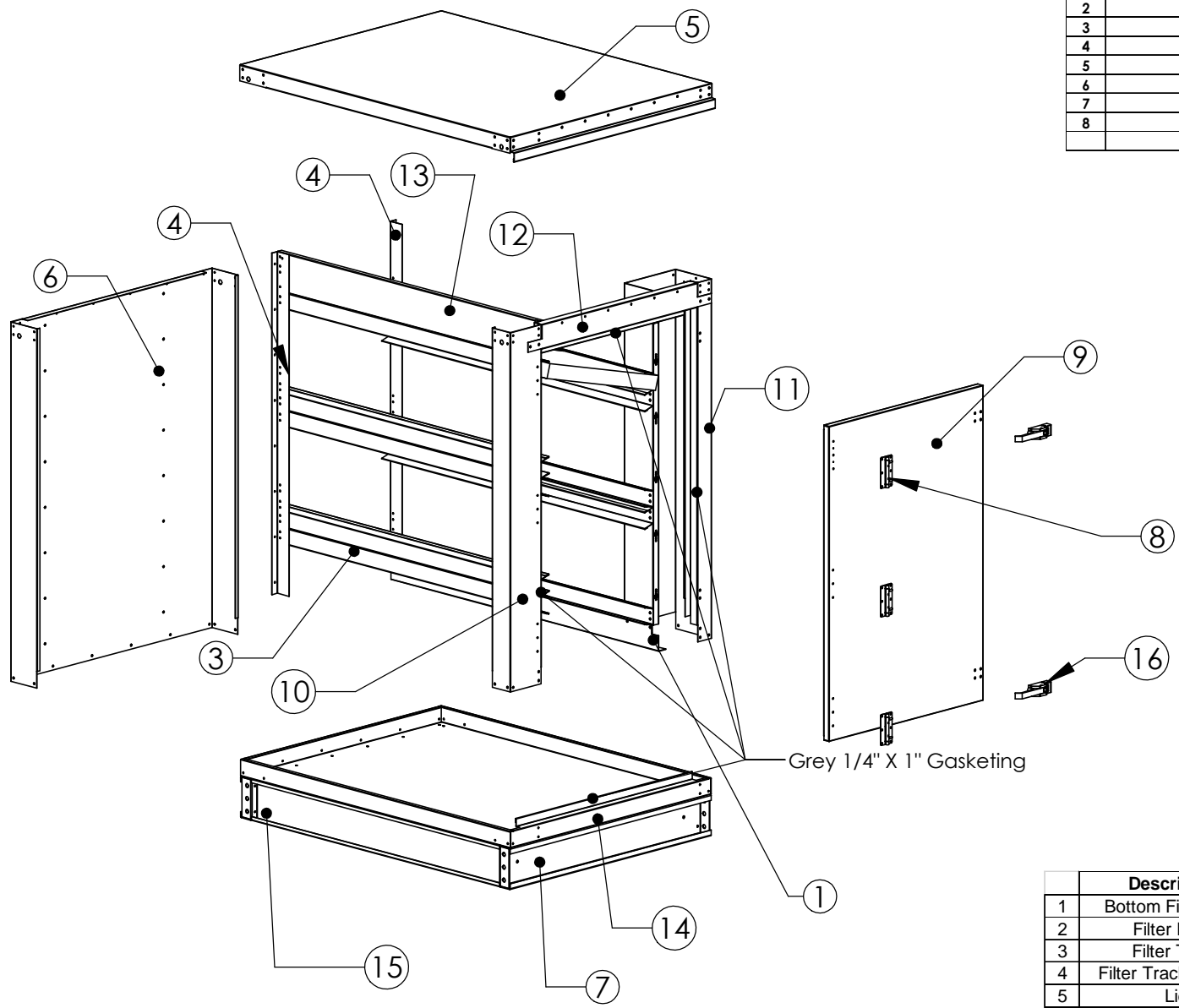
	Description	#1	#2	#3
1	Bottom Filter Blank	E1BFBL	E2BFBL	E3BFBL
2	Filter Blank	E1FBLK (3)	E2FBLK (4)	E3FBLK (4)
3	Filter Track	E1FTRK (6)	E2FTRK (8)	E3FTRK (8)
4	Filter Track Support	E1FTSP (2)	E2FTSP (2)	E3FTSP (2)
5	Lid	E1LIDD	E2LIDD	E3LIDD
6	Left Side	E1LSID	E2LSID	E3LSID
7	Main Rail	ME12MR (2)		ME3MNRL (2)
8	Door Hook	PC12DH/PCSDH		PC3DH/PCSDH
9	Right Door	E1RDOR	E2RDOR	E3RDOR
10	Right Rear Door Jam	E1RRDJ	E2RRDJ	E3RRDJ
11	Right Front Post	E1RTFP	E2RTFP	E3RTFP
12	Top Door Seal	ME1DRSL	ME2DRSL	ME3DRSL
13	Top Filter Blank	E1TFBL	E2TFBL	E3TFBL
14	Bottom	E1VBOT	E2VBOT	E3VBOT
15	End Flashing	M1EFLS (2)	M2EFLS (2)	M3EFLS (2)
16	Latch	62-99-804-20(2)		
17	Door Handle	P-50-1010 (1)		

NOTES:

- 1) E1FBLK and E3FBLK ARE CAULKED TO THE LEFT SIDE (E*LSID)
E2FBLK and E5FBLK ARE PLACED BETWEEN E*PCDR AND FILTER.
- 2) Refer to Insulated V Bank Cut Size Data Sheet for Insulated V Banks.
Only Size 2 and Size 5 units use Filter blanks on Insulated V Banks.

One Part Required Unless Otherwise Noted

V-BANK 4-6 EXPLODED VIEW



#	Description	Revised by	ECN#	Date
1	Created for Hinged Doors	JJH	2789	6/4/15
2				
3				
4				
5				
6				
7				
8				

V-Bank Media Size	
For	Dimensions (Quantity)
Size 1	20x25x2 (3)
Size 2	16x20x2 (8)
Size 3	20x25x2 (8)
Size 4	16x20x2 (15)
Size 5	20x25x2 (12)
Size 6	20x25x2 (18)

	Description	#4	#5	#6
1	Bottom Filter Blank	E4BFBLH	E5BFBLH	E6VBFLH
2	Filter Blank	N/A	Not Shown	N/A
3	Filter Track	E4FTRKH (10)	E5FTRKH (12)	E6FTRKH (12)
4	Filter Track Support	E4FTSPH (2)	E5FTSPH (2)	
5	Lid	E4LIDD	E5LIDD	E6LIDD
6	Left Side	E4LSIDH	E5LSIDH	
7	Main Rail	ME45MR (2)		
8	Door Hinges	HG-OTA100(3)		
9	Right Door	E4RDORH	E5RDORH	
10	Right Rear Door Jam	E4RRDJH	E5RRDJH	
11	Right Front Post	E4RTFPH	E5RTFPH	
12	Top Door Seal	E4TDSH	E5TDSH	
13	Top Filter Blank	E4TFBLH	E5TFBLH	E6TFBLH
14	Bottom	E4VBOTH	E5VBOTH	E6VBOTH
15	End Flashing	M4EFLS (2)	M5EFLS (2)	ME6EFLS (2)
16	Handles	A7-10-351-20 (2)		
One Part Required Unless Otherwise Noted				

NOTES:

- 1) E1FBLK and E3FBLK ARE CAULKED TO THE LEFT SIDE (E*LSID)
E2FBLK and E5FBLK ARE PLACED BETWEEN E*PCDR AND FILTER.
- 2) Refer to Insulated V Bank Cut Size Data Sheet for Insulated V Banks.
Only Size 2 and Size 5 units use Filter blanks on Insulated V Banks.