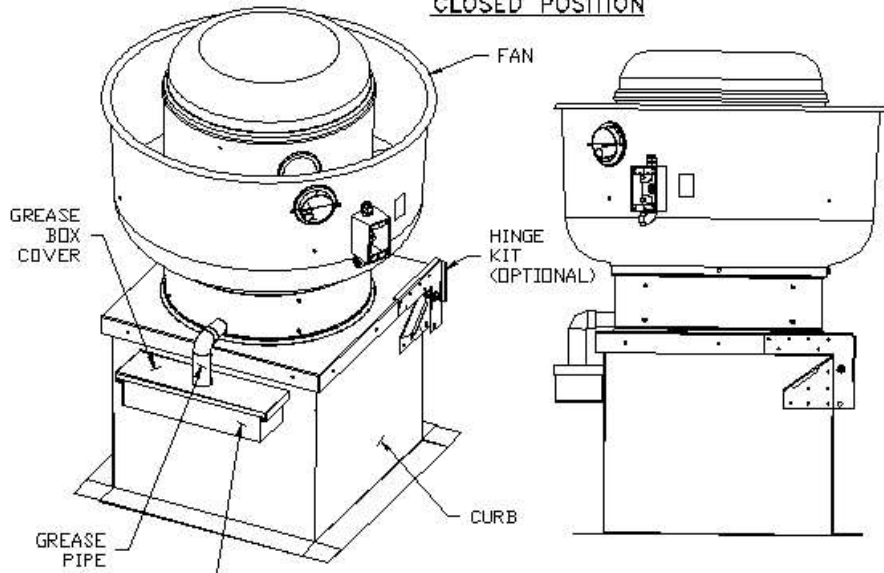
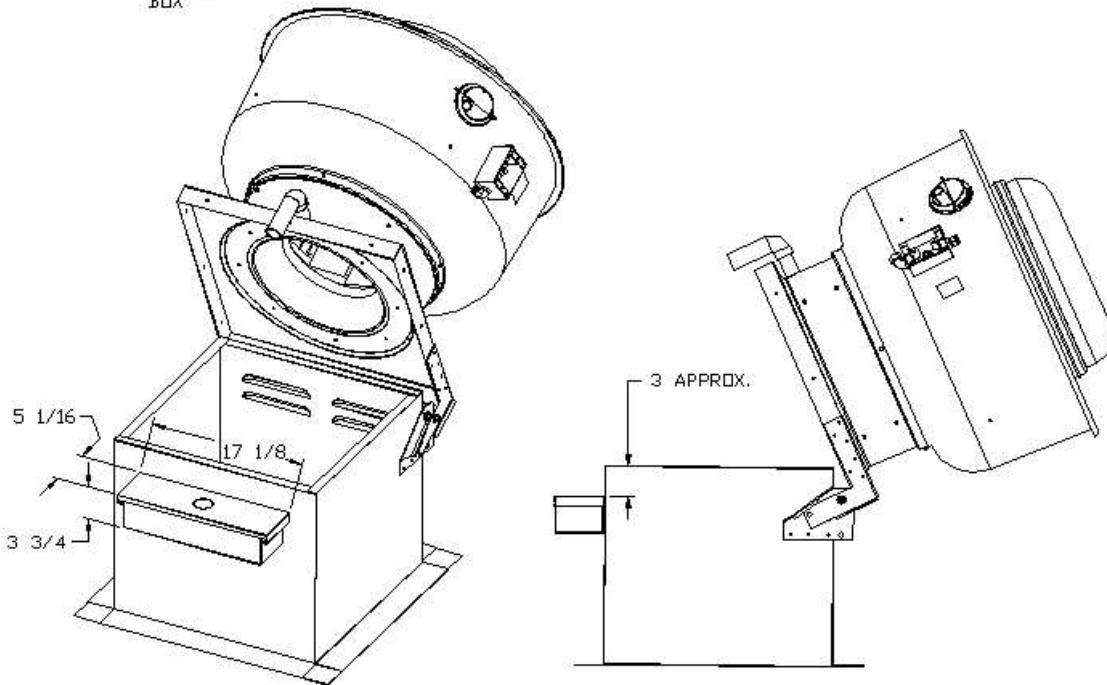


# GREASE BOX INSTALLATION

## CLOSED POSITION



## OPEN POSITION



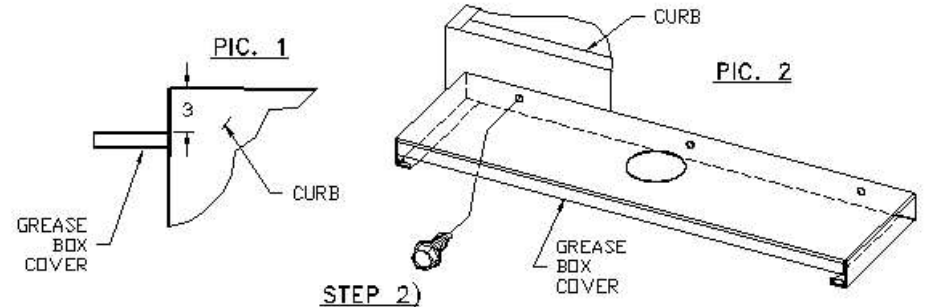
## PARTS INCLUDED

- GREASE BOX
- GREASE BOX COVER
- GREASE PIPE
- SHEET METAL SCREWS  
3 - LONG (3/4" LG.)

## GREASE BOX FIELD INSTALLATION

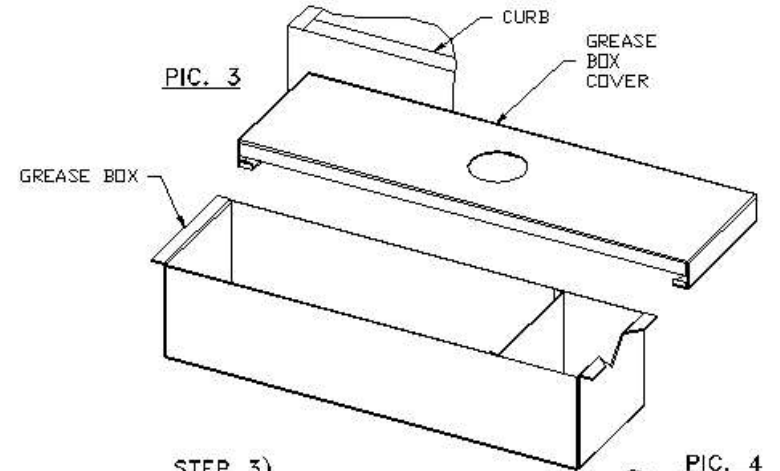
### STEP 1)

ATTACH GREASE BOX COVER TO THE CURB, HOLD 3" DIMENSION AS SHOWN ON PIC. 1. SCREW GREASE BOX COVER TO CURB USING (3) LONG (3/4" LG.) SCREWS AS SHOWN ON PIC. 2.



### STEP 2)

ATTACH GREASE BOX TO GREASE BOX COVER, SLIDE AND DROP AS SHOWN ON PIC. 3.



### STEP 3)

INSTALL GREASE PIPE AS SHOWN ON PIC. 4.

