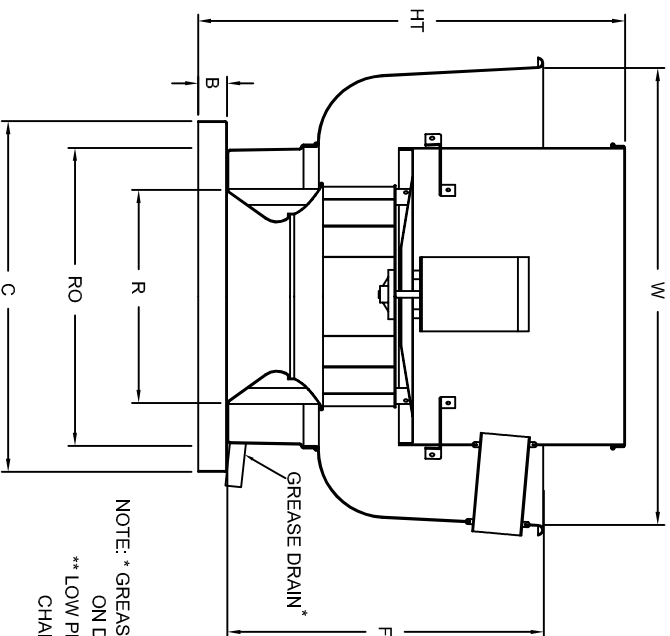


DU SERIES UPBLAST EXHAUST FANS (UL705)



NOTE: * GREASE DRAIN NOT REQ'D ON DU10U/HFA
** LOW PROFILE "HT" DIMENSION CHANGES.

DU DIRECT DRIVE CENTRIFUGAL UP-BLAST EXHAUST FANS DIMENSIONAL DATA

FAN MODEL	HT	**HT	W	B	C	F	R	RO	WEIGHT LB
DU10	14 1/2	N/A	17 3/4	2	19	9 1/2	8 1/8	13	30
DU12	18	17	22	2	19	14 1/2	10 5/8	13	40
DU30	25 1/4	20 1/4	25 1/2	2	21	18 1/2	12 1/8	16	50
DU33	25 1/4	20 1/4	25 1/2	2	21	18 1/2	12 1/8	16	50
DU50	27 1/4	23 1/4	28 7/8	2	21	21 1/2	13 1/4	16	55
DU85	30 1/2	25 1/2	31 7/8	2	24 3/4	23	14 7/8	20	60
DU180	33 3/4	N/A	39 3/8	2	28	22 5/8	16 1/2	24	190
DU200	33 3/8	N/A	38 7/8	2	28	29 1/2	18	24	195
DU240	37 1/2	N/A	43 3/8	2	33	30 5/8	23 7/8	28	270
DU300	40	N/A	52 3/4	2	40	33 1/2	24	36	410
DU360	45 9/16	N/A	63 7/16	2	44	43 7/16	25 1/4	40	470

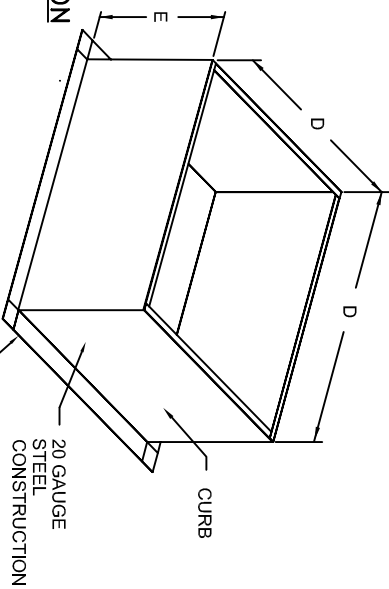
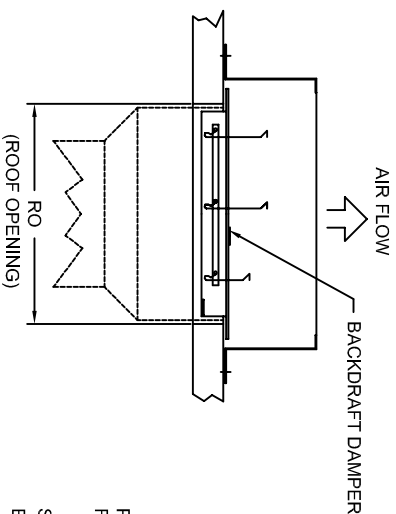
FEATURES:

- ROOF MOUNTED FANS
- UL705
- VARIABLE SPEED CONTROL
- INTERNAL WIRING
- WEATHERPROOF DISCONNECT
- DU10 ONLY - INTERNAL SERVICE DISCONNECT
- THERMAL OVERLOAD PROTECTION (SINGLE PHASE)

OPTIONS:

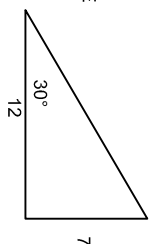
- BACKDRAFT DAMPER
- HINGED FAN
- PITCHED CURB
- INSULATED CURB
- BIRD SCREEN
- LOW PROFILE OPTION

BACKDRAFT DAMPER INSTALLATION



PITCHED CURBS ARE AVAILABLE FOR PITCHED ROOFS.

SPECIFY PITCH:
EXAMPLE: 7/12 PITCH = 30° SLOPE



CURB DIMENSIONAL DATA

FAN MODEL	D	E
DU10	17 1/2	12
DU12	17 1/2	12
DU30	19 1/2	12
DU33	19 1/2	12
DU50	19 1/2	12
DU85	23	12
DU180	26 1/2	12
DU200	26 1/2	12
DU240	31 1/2	12
DU300	38 1/2	12
DU360	42 1/2	12