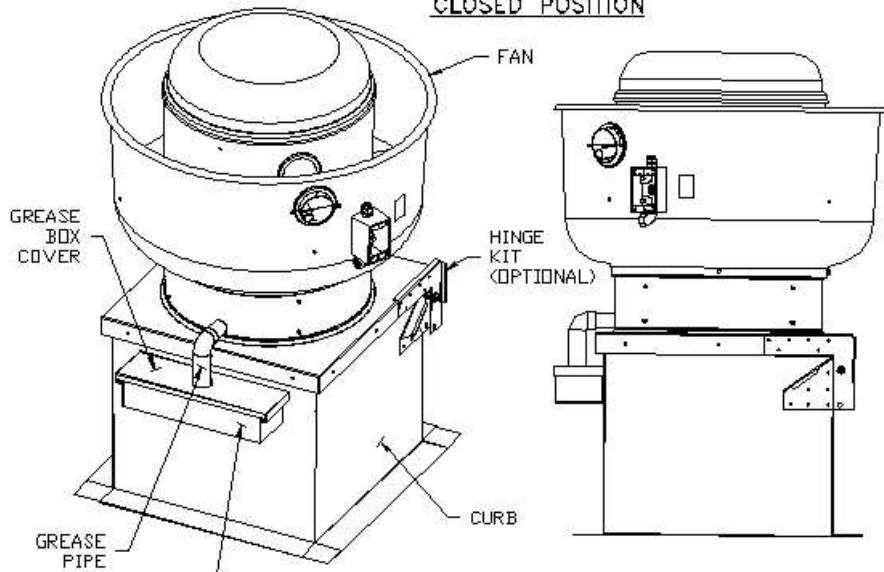
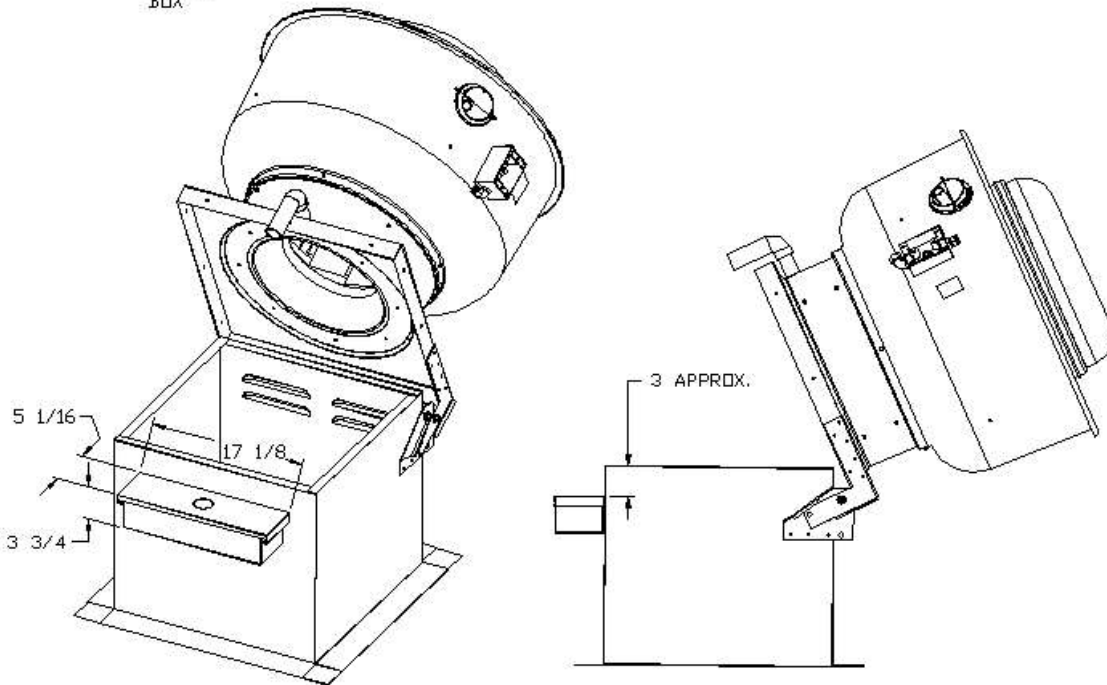


GREASE BOX INSTALLATION

CLOSED POSITION



OPEN POSITION



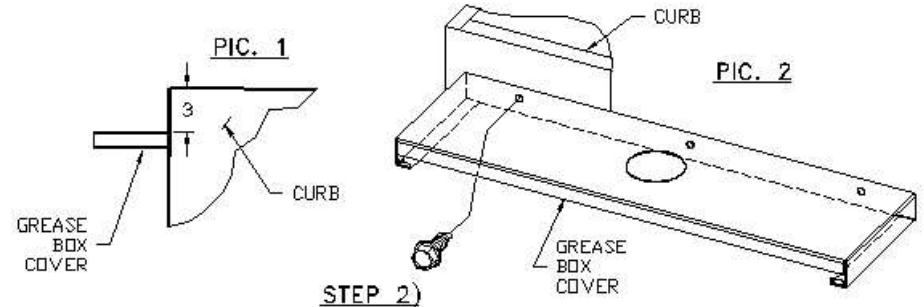
PARTS INCLUDED

- GREASE BOX
- GREASE BOX COVER
- GREASE PIPE
- SHEET METAL SCREWS
3 - LONG (3/4" LG.)

GREASE BOX FIELD INSTALLATION

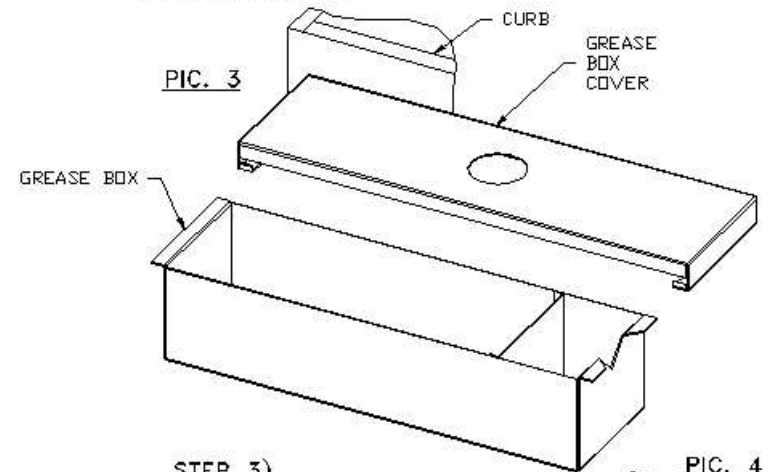
STEP 1)

ATTACH GREASE BOX COVER TO THE CURB, HOLD 3" DIMENSION AS SHOWN ON PIC. 1. SCREW GREASE BOX COVER TO CURB USING (3) LONG (3/4" LG.) SCREWS AS SHOWN ON PIC. 2.



STEP 2)

ATTACH GREASE BOX TO GREASE BOX COVER, SLIDE AND DROP AS SHOWN ON PIC. 3.



STEP 3)

INSTALL GREASE PIPE AS SHOWN ON PIC. 4.

